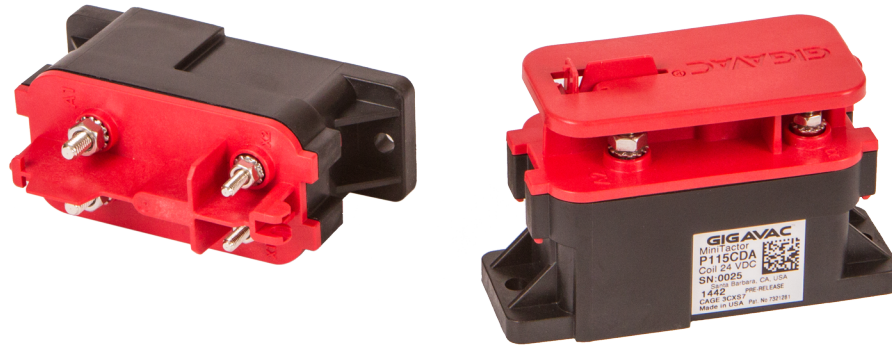


PRELIMINARY



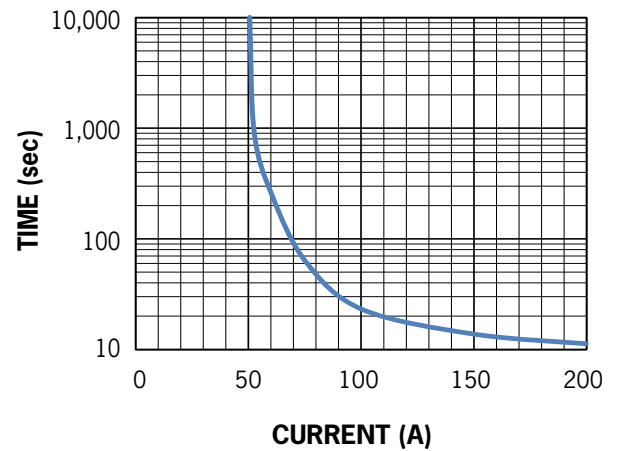
FEATURES

- > UL508 Recognized and load break rated for 1000vdc systems
- > Hermetically sealed contactor: ensures make/break switching up to 1200Vdc
- > Best option for: NEC 690.11 and 690.12 DC arc fault interrupting and rapid shutdown requirements
- > Small, lightweight and cost effective patented design
- > Perfect choice for 600Vdc and 1000Vdc photovoltaic/battery systems

PRODUCT SPECIFICATIONS

Specifications	Units	Data
Contact Arrangement	Form X	SPST-NO
Dielectric at Sea Level	Vrms	4300
Contact Voltage, Operating Max	Vdc	1500
Continuous Current Carry, Max (8 AWG)	A	50
Electrical Life (Resistive Load) Make and Break, 20A @ 1000Vdc	Cycles	6000
Mechanical Life	Cycles	1,000,000
Contact Voltage Drop, Max @ 50A	mV	100
Contact Resistance @ 50A	mOhms	2
Operate Time, Max	ms	25
Release Time, Max	ms	8
Vibration, Sinusoidal (50-200Hz Peak)	G	5
Shock, Operating, 1/2 Sine, 11ms	G	20
Temperature, Operating Range ^{1/}	°C	-40 to +65
Humidity, No Freezing or Condensing at Low Temperature	RH	5% to 85%
Weight	grams	100

CURRENT CARRY RATINGS



COIL RATINGS @ 25°C ^{2/}

Coil P/N Designation	B	C	F
Coil Voltage, Nominal	12 Vdc	24 Vdc	48 Vdc
Coil Voltage, Max	16 Vdc	32 Vdc	64 Vdc
Pick-up Voltage, Max	7.5 Vdc	15 Vdc	30 Vdc
Drop Out Voltage, Max	5 Vdc	9 Vdc	18 Vdc
Drop Out Voltage, Min	0.20 Vdc	0.40 Vdc	0.80 Vdc
Coil Resistance, +/-10%	70 Ohms	280 Ohms	1092 Ohms
Coil Current at Nominal Voltage	0.170 A	0.085 A	0.045 A
Recommended External Coil Suppression	24 Vdc	48 Vdc	96 Vdc

PRELIMINARY



DIMENSIONS

Mounting

M4 or 8-32 Screws
Torque 1.3-1.7Nm [12-15in-lb]

Case Material

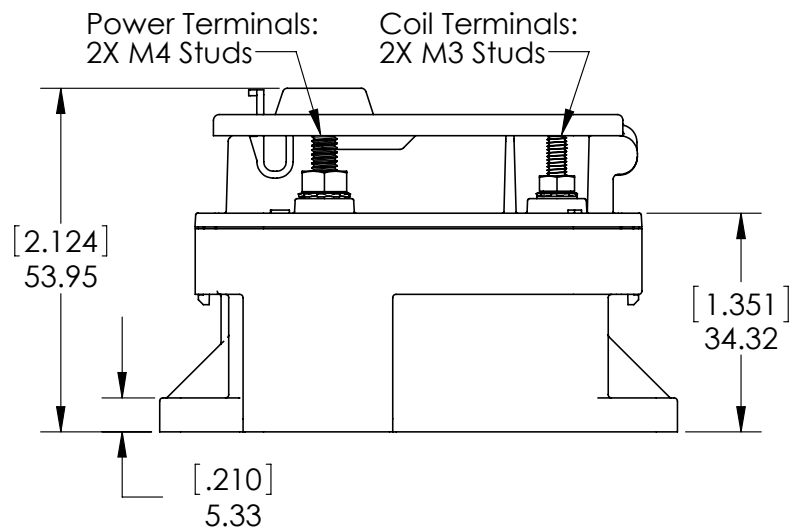
Thermoplastic Polyester Resin

Power Connection

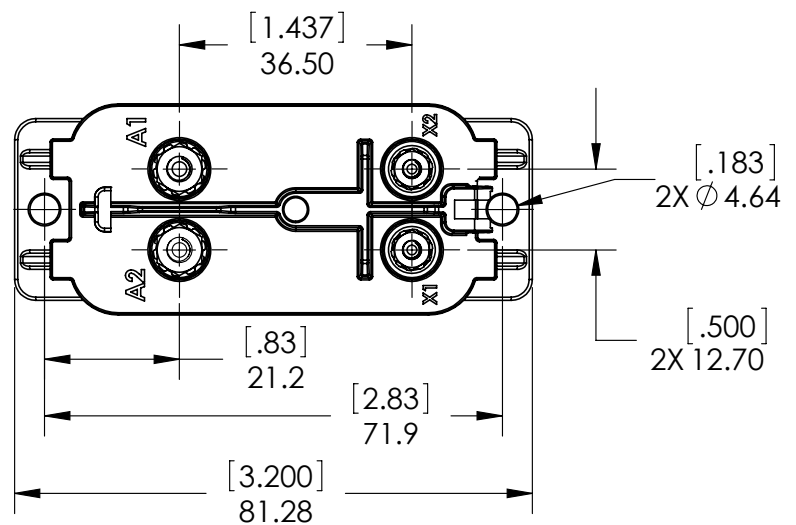
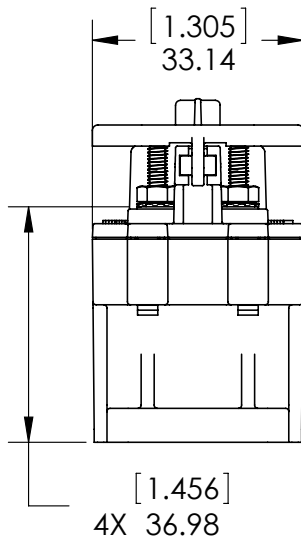
M4 Studs
Torque 1.3Nm [12in-lb] max

Coil Termination

M3 Studs
Torque 0.5Nm [5in-lb] max



PRELIMINARY



PART NUMBER SYSTEM

P115	B	D	A
Coil Voltage	B=12 Vdc		
	C=24 Vdc		
	F=48 Vdc		
Coil Terminals		D=Studs, M3	
Power Terminals			A=Studs, M4

Notes & Definitions:

1/ Temperature range refers to ambient conditions. Terminal temperature can exceed listed values.

2/ Contactor is operated by a coil that changes resistance with temperature. Since pick-up current, coil current and coil power are specified at nominal voltage, they will be lower than indicated at temperatures above 25°C and higher than indicated at temperatures below 25°C. Similarly, pick-up and drop-out voltages will be higher than indicated at temperatures above 25°C and lower than indicated at temperatures below 25°C.

APPLICATION NOTES

Electrical life rating is based on resistive load with 27μH maximum inductance in circuit. Because your application may be different, we suggest you test the contactor in your circuit to verify life is as required.

Contactor is bi-directional and therefore can carry, make, and break current in both directions.

Contactor is not sensitive to direction of installation and can be mounted in any position or axis.

PRELIMINARY