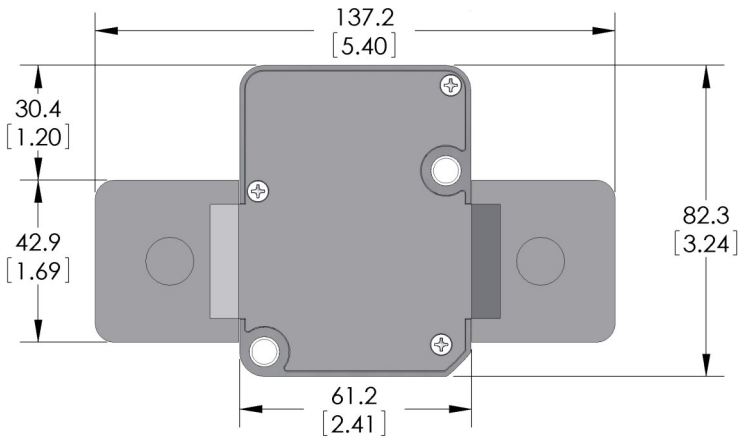
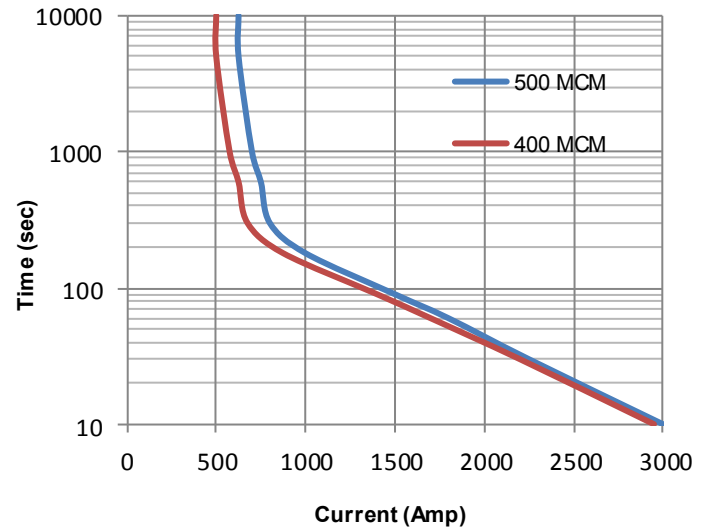


Key Features

EPIC® Seal	Ceramic to metal braze. Gas filled hermetic chamber protects key components. Exceeds IP69K standard
Temperature	Tested to temperatures up to 200°C
Contacts / Form	Silver / SPST / NO
Coil	Efficient two coil design with no PWM or EMI emissions. Coil suppression built in
High Shock and Vibration	For rugged environments, off-road and tracked vehicles
Installation	Not direction sensitive
Made in USA	Designed and manufactured in the USA
Reference	MIL-R-6106, RoHS



Current Carry vs Time
with 85°C terminal temperature rise



Power Terminals

- Zinc Plated M12 X 1.75 Bolt
- Stainless M12 X 1.75 Nut
- Stainless Lock Washer
- Stainless Flat Washer

Mounting Hardware

- M6 [1/4 in] Bolts (not incl.)
- Torque 2-4 Nm [18-35 in-lb]

Torque 15-22 Nm [130-200 in-lb]

Mating Connector
Deutsch DT06-08S

*GIGAVAC sells mating connector as assembly or component package. See Accessories pg 2.

GIGAVAC [®]		P.O. Box 4428 Santa Barbara, CA 93140
www.gigavac.com	info@gigavac.com	+805-684-8401
Rev 3	1/23/14	© 2013 GIGAVAC, LLC
		Page 1 of 2
		MX16

Technical Specification	
Continuous Current	600A w/ 500MCM (see graph on reverse)
Max Current—1 sec	4000A
Max Current—10 sec	3000A
Max Current—90 sec	1500A
Contact Voltage Drop (max)	150mV at 600A
Insulation Resistance (min)	100MΩ (50MΩ after life)
Dielectric Withstanding	2200 VRMS (1050 VRMS after life)
Operate Time (max)	20 msec (include bounce)
Release Time (max)	12 msec
Weight	1.9 lb (900 grams)

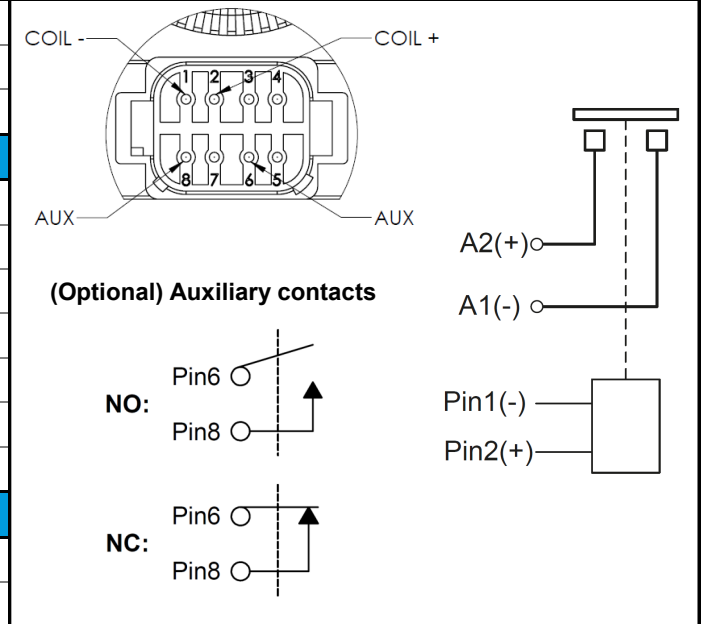
MX16 _ E _

Coil Voltage:
B = 12V
C = 24V
F = 48V

Auxiliary Contacts:
Blank = none
B = SPST, Normally Open
C = SPST, Normally Closed

Resistive Load Switching	
600A at 24 VDC	100,000 cycles
Mechanical Life	300,000 cycles
Fault Interrupt @ 28VDC	4000A

Power Circuit and Installation



Environmental Specifications	
Seal	Hermetic, 10 E-9 atm cc/sec
Temperature Range	-55°C to +90°C
Shock	Sawtooth @ 20G, 11ms, ½ Sine @ 25G, 11ms
Vibration	10-2000 Hz, 20G
Water / Steam	2750 psi waterjet, 105 psi steam, boiling water
Salt Spray Corrosion	MIL-STD-810G
Resistant to corrosion, chemicals, and fungal growth	

Auxiliary contacts (optional) - Form A, SPST Normally Open	
Switching Current (max)	2A at 28VDC
Switching Current (min)	0.1mA at 5V

Coil Ratings at 25°C
 *Contact factory for additional coil voltages

Coil P/N Designation	B	C	F
Coil Voltage, Nominal	12 VDC	24 VDC	48 VDC
Coil Voltage, Max	16 VDC	32 VDC	64 VDC
Pick-Up Voltage, Max	8 VDC	16 VDC	30 VDC
Drop-Out Voltage	0.5 to 4.5 VDC	0.5 to 7.5 VDC	2 to 15 VDC
Pick-Up Current, Max (75 ms)	3.8 A	1.9 A	0.9 A
Coil Current	0.64 A	0.32 A	0.16 A
Coil Power	7.8 W	7.8 W	7.8 W
Internal Coil Suppression	Transorb		
Coil Back EMF	55 V		125 V
Transients, Max (13 ms)	±50 V		±75 V
Reverse Polarity	16 V	32 V	64 V



Options and Accessories	
0696-1	Components (not assembled) for mating Deutsch connector, non-aux
0696-2	Components (not assembled) for mating Deutsch connector, w/ aux
0697-1	Assembled mating Deutsch connector for non-aux versions
0697-2	Assembled mating Deutsch connector for versions w/ auxiliaries

GIGAVAC®

www.gigavac.com info@gigavac.com P.O. Box 4428
 Santa Barbara, CA 93140

Rev 3 1/23/14 © 2013 GIGAVAC, LLC Page 2 of 2 **MX16**