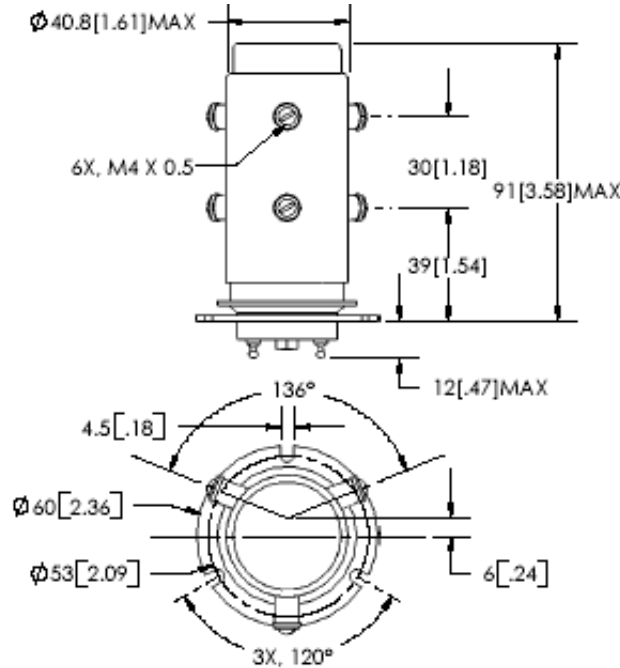


Make Only Load Switching  
RoHS Compliant

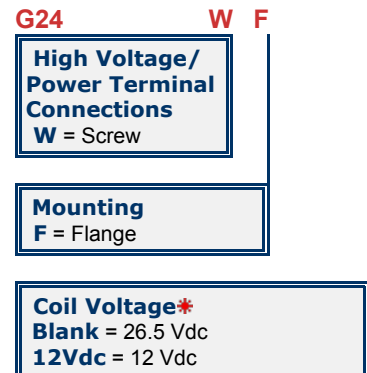


- | FEATURES   |
|--|
| • Double Pole Double Throw, DPDT, contact arrangement for maximum circuit design flexibility |
| • Two sets of contacts are ideal for circuit monitoring, auxiliary                           |
| • Low, stable contact resistance minimizes loss in RF circuits                               |
| • Gas filled for consistent output wave form   |
| • Threaded high voltage connections for easy installation                                    |
| • User interchangeable coils provide driver versatility                                      |

PRODUCT SPECIFICATIONS		
Contact & Relay Ratings	Units	G24
Contact Form		2C
Contact Arrangement		DPDT
Voltage, Test Max., Contacts & to Base (15 µA Leakage Max., dc or 60Hz)	kV Peak	23
Voltage, Operating Max., Contacts & to Base (15 µA Leakage Max.)		
dc or 60 Hz	kV Peak	20
2.5 MHz	kV Peak	-
16 MHz	kV Peak	-
32 MHz	kV Peak	-
Current, Continuous Carry Max		
dc or 60 Hz	Amps	30
2.5 MHz	Amps	-
16 MHz	Amps	-
32 MHz	Amps	-
Coil Hi-Pot (V RMS, 60 Hz)	V	500
Capacitance		
Across Open Contacts	pF	-
Contacts to Ground	pF	-
Resistance, Contact Max @ 1A, 28Vdc	ohms	1.0
Operate Time	ms	30
Release Time	ms	10
Life, Mechanical	cycles	1 million
Weight, Nominal	g (oz)	380 (14)
Vibration, Operating, Sine (55-300 Hz Peak)	G's	10
Shock, Operating, 1/2 Sine 11ms (Peak)	G's	50
Temperature Ambient Operating	°C	-55 to +125

COIL RATINGS		
Nominal, Volts dc	12	26.5
Pick-up, Volts dc, Max.	8	16
Drop-Out, Volts dc	.5-5	1-10
Coil Resistance (Ohms ±10%)	60	240

For more information, refer to  
[Relay User Instructions](#)



\*Order the relay with the coil voltage in the part number as shown above. The coil voltage will appear on the coil plate near the coil terminals rather than in the P/N on the relay.