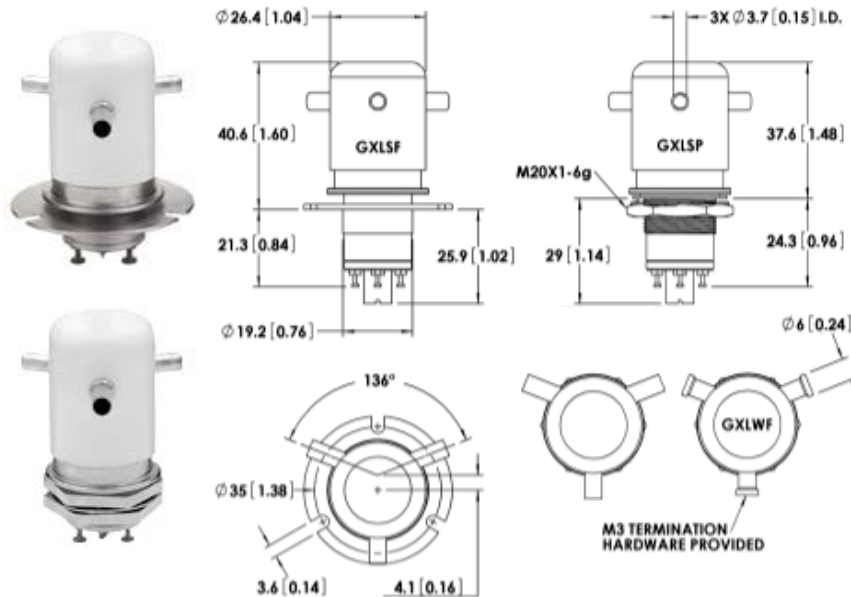


# G15L - LATCHING

# 15 kV

Make Only Load Switching  
RoHS Compliant, date code 0701 and later



- | FEATURES   |
|--|
| ◆ Latching coils for low power consumption and to ensure relay will remain in last position, even when no voltage is applied to the coil |
| ◆ Excellent for capacitive discharge and safety dump switch applications   |
| ◆ Two mounting styles available, flange or through panel with jam nut  |
| ◆ Solder or threaded high voltage connections help make installation easy  |
| ◆ User interchangeable coils provide for driver versatility  |
| ◆ Effectively bounce free operation  |

PRODUCT SPECIFICATIONS		
Contact & Relay Ratings	Units	G15L
Contact Form		C
Contact Arrangement		SPDT
Voltage, Test Max., Contacts & to Base (15 µA Leakage Max., dc or 60Hz)	kV Peak	17
Voltage, Operating Max., Contacts & to Base (15 µA Leakage Max.)		
dc or 60 Hz	kV Peak	15
2.5 MHz	kV Peak	-
16 MHz	kV Peak	-
32 MHz	kV Peak	-
Current, Continuous Carry Max		
dc or 60 Hz	Amps	12
2.5 MHz	Amps	-
16 MHz	Amps	-
32 MHz	Amps	-
Coil Hi-Pot (V RMS, 60 Hz)	V	500
Capacitance		
Across Open Contacts	pF	-
Contacts to Ground	pF	-
Resistance, Contact Max @ 1A, 28 Vdc	ohms	1.0
Operate Time	ms	15
Reset Time	ms	9
Life, Mechanical	cycles	1 million
Weight, Nominal	g (oz)	84 (3)
Vibration, Operating, Sine (55-500 Hz Peak)	G's	10
Shock, Operating, 1/2 Sine(11ms (Peak)	G's	50
Temperature Ambient Operating	°C	-55 to +125

COIL RATINGS	
Nominal, Volts dc	26.5
Pick-up, Volts dc, Max.	16
Reset, Volts dc	1 - 10
Coil Resistance (Ohms ±10%)	-

Ratings listed are for 25°C, sea level conditions.  
Coils are polarity sensitive.  
Observe polarity marked on coil terminals.

For more information, refer to  
[Relay User Instructions](#)

**G15**      **L** **S**      **F**      **-**

Latching Designator				
High Voltage/Power Terminal Connections S = Solder Pot W = Screw				
Mounting F = Flange P = Through Panel				
Coil Voltage* Blank = 26.5 Vdc				

\*Order the relay with the part number as shown. The latching "L" designator and the coil voltage will not appear in the P/N on the relay but will be indicated on the label that is on the base of the relay. Observe coil polarity.

03/13/12