

1000VDC, Fast Acting Fuse for EV/HEV

STA4305 Series

Description | 描述

-Fast Acting fuse for EV/HEV

-1000Vdc ideal for EV or HEV application

-Excellent DC performance

用于纯电动汽车和混合动力汽车的快速熔断器

专为纯电动汽车和混合动力汽车设计的1000V直流熔断器

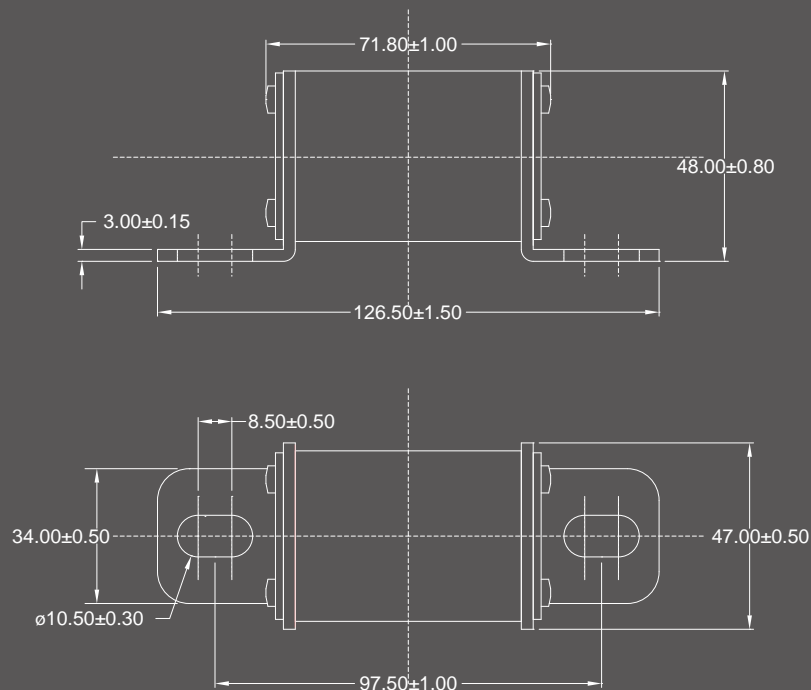
卓越的直流分断能力

Specifications | 电气特性

Ordering P/N 订购料号	Rated Current 额定电流 (A)	Rated Voltage 额定电压 (DCV)	Breaking Capacity 分断能力 (A)	0.5In Power loss 0.5In功耗(W)
STA4305-350	350	1000	20000	<14.5
STA4305-400	400			<17
STA4305-450	450			<19.5
STA4305-500	500			<21

* 0.5In Temperature Rise <=50K 0.5倍载流温升不大于50K

Dimension(mm) | 尺寸 Single / 单体

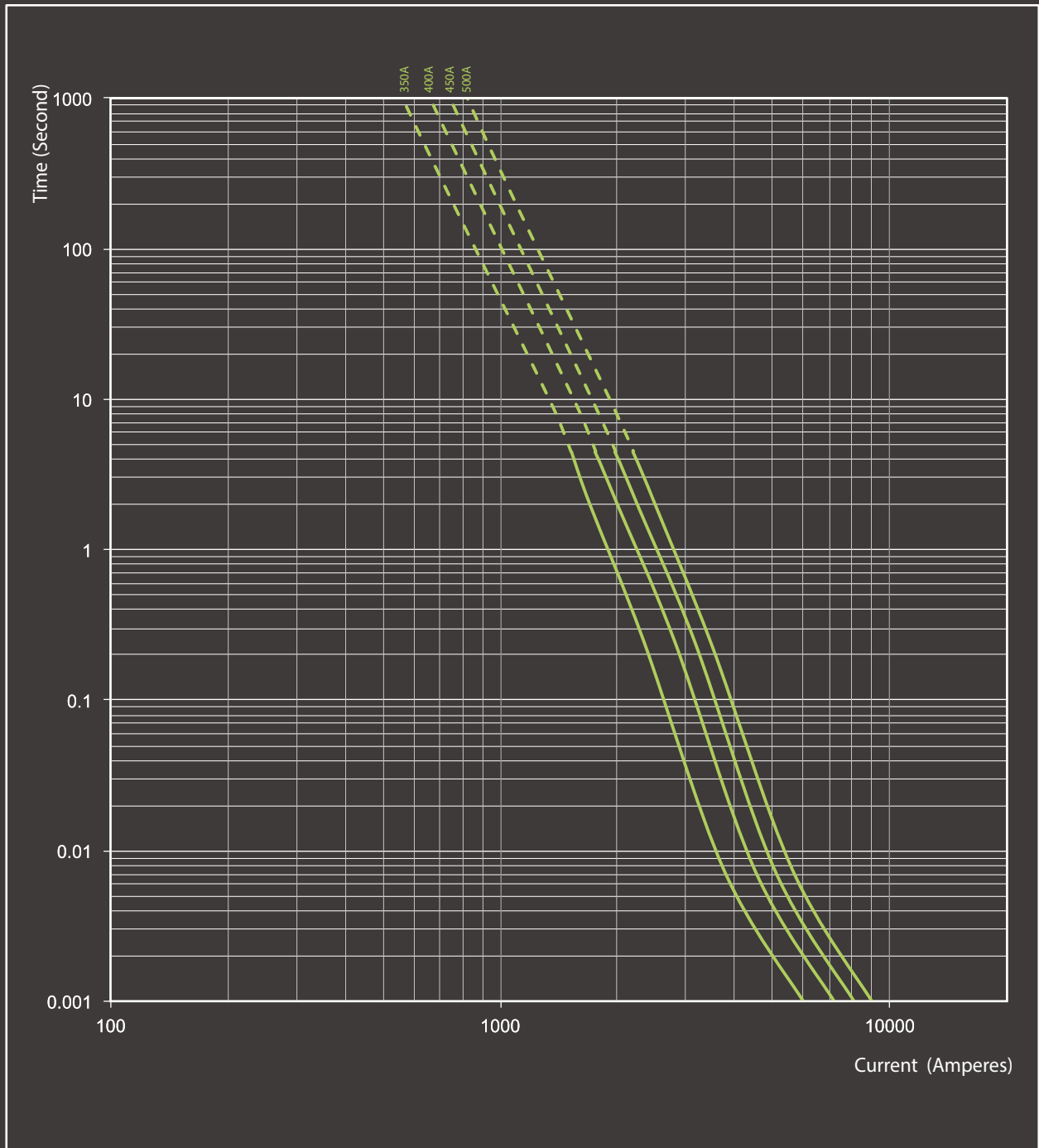




1000VDC, Fast Acting Fuse for EV/HEV

STA4305 Series

Time-Current Curve | 时间电流曲线



1000VDC, Fast Acting Fuse for EV/HEV

STA4305 Series

Transportation and Storage | 运输与储存

- * During transportation and storage, should avoid water seepage and mechanical damage
- * 运输与储存期间,应避免雨雪侵蚀和机械损伤。

Conditions for operation in service | 工作条件

- * Where the following conditions apply, fuses complying
- * with this standard are deemed capable of operating satisfactorily without further qualification :
- * Normal temperature : -5 °C to 40 °C ;
- * The altitude of the site of installation of the fuses does not exceed 2000m above sea level ;
- * The air is clean and its relative humidity does not exceed 50% at the maximum temperature of 40 °C ;
- * Higher relative humidities are permitted at lower temperatures, e.g. 90% at 20 °C ;
- * Under these conditions, moderate condensation may occasionally occur due to variation in temperature ;
- * For operation condition other that above, please contact manufacturer ;

在以下条件下使用,熔断器认为能正常工作,不需要进一步验证:

- * 周围空气温度: -5°C to 40 °C ;
- * 安装地点的海拔不超过 2000 米 ;
- * 空气是干净的,其相对湿度在最高温度为 40°C时不超过 50% ;
- * 在较低温度下可以有较高的相对湿度,例如,在 20°C时,相对湿度可达90% ;
- * 在这些条件下,由于温度变化,可能偶然发生中等凝露 ;
- * 如果使用条件超出以上范围,请咨询制造商以确认相应的折减计算 ;

Vibration | 震动条件

- * Meet JASO D622 :2006 Section 6.3.3 Vibration durability test requirement, can be use on Electrical Vehicle application;
- * 符合JASO D622:2006章节6.3.3的震动测试要求,可用于一般电动汽车应用;

Temperature Re-Rating Curve | 温度调额曲线

