

1000VDC, Fast Acting Fuse for EV/HEV

ST4305 Series

Description

- Fast Acting fuse for EV/HEV
- 1000Vdc ideal for EV or HEV application
- Excellent DC performance

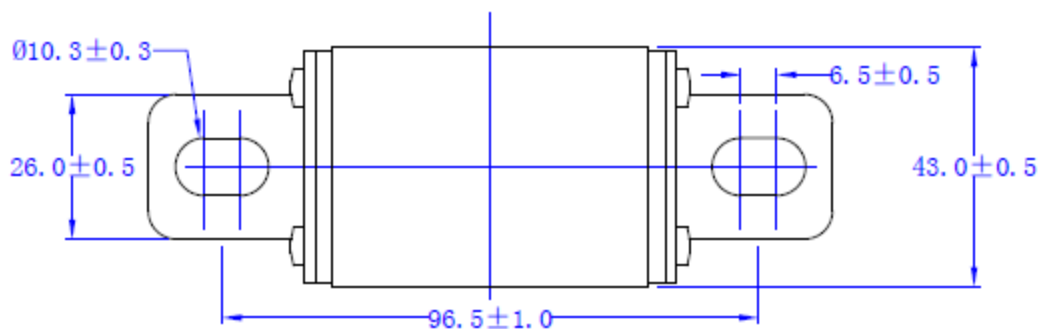
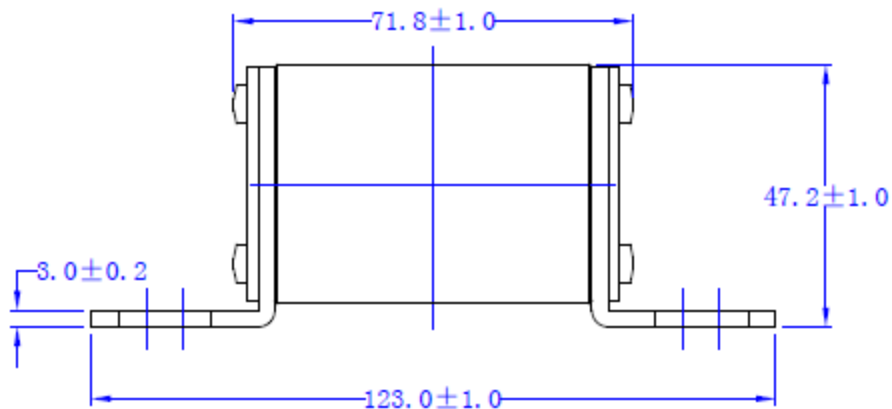
Specifications

Ordering P/N	Rated Current (A)	Rated Voltage (VDC)	Breaking Capacity (A)	0.5In Power loss 0.5In (W)
ST4305-350	350	1000	20000	<14.5
ST4305-400	400			<17
ST4305-450	450			<19.5
ST4305-500	500			<21

*Temperature Rise: <50K with 50% of rated current

Dimension (mm)

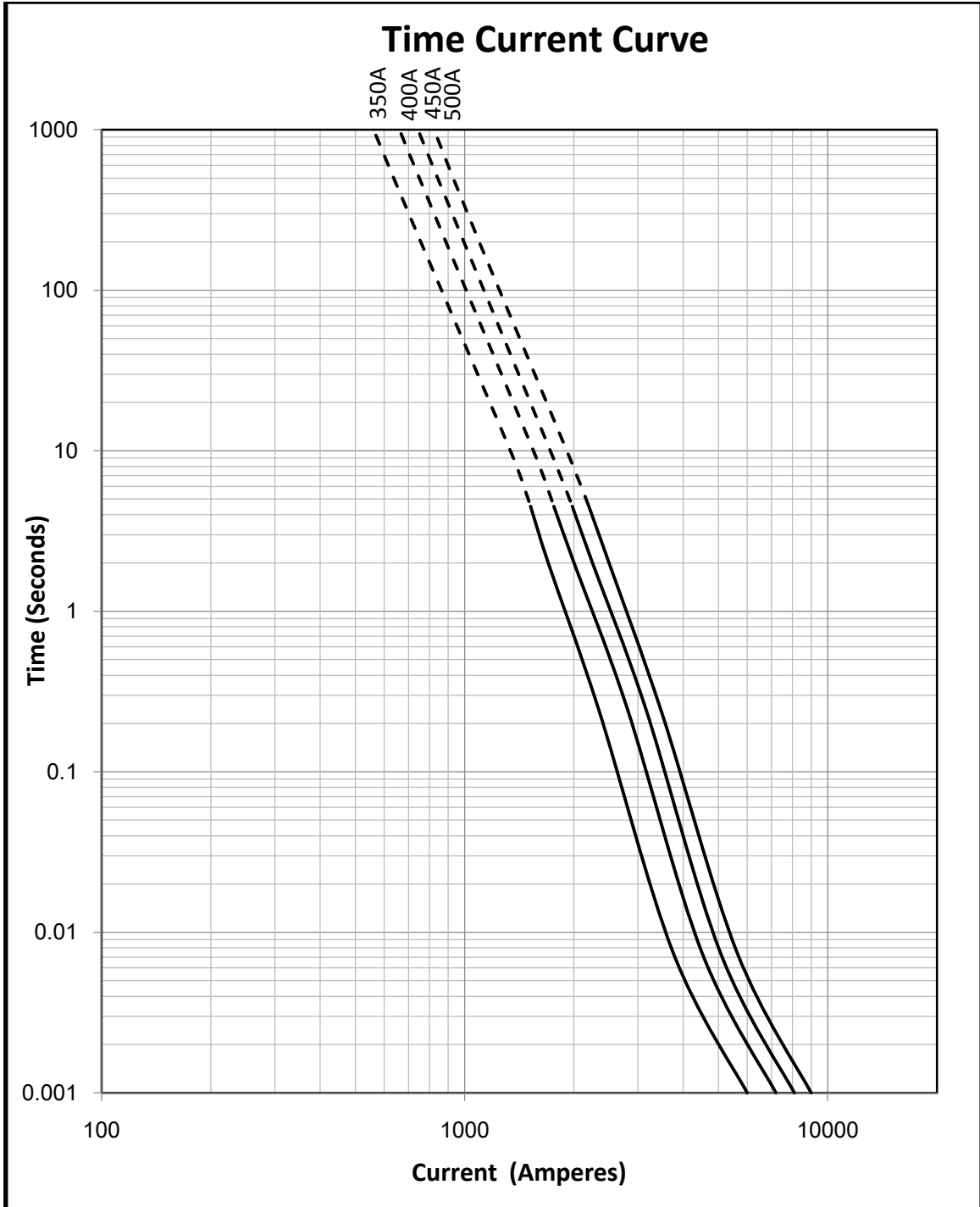
Type: Single



1000VDC, Fast Acting Fuse for EV/HEV

ST4305 Series

Time-Current Curve



1000VDC, Fast Acting Fuse for EV/HEV

ST4305 Series

Transportation and Storage

During transportation and storage, should avoid water seepage and mechanical damage

Conditions for operation in service

Where the following conditions apply, fuses complying with this standard are deemed capable of operating satisfactorily without further qualification.

Normal temperature: -5°C to 40°C ;

The altitude of the site of installation of the fuses does not exceed 2 000 m above sea level;

The air is clean and its relative humidity does not exceed 50 % at the maximum temperature of 40°C ;

Higher relative humidities are permitted at lower temperatures, e.g. 90 % at 20°C ;

Under these conditions, moderate condensation may occasionally occur due to variation in temperature.

For operation condition other than above, please contact manufacturer.

Vibration

Meet JASO D622:2006 Section 6.3.3 Vibration durability test requirement, can be use on Electrical Vehicle application;

Temperature Re-Rating Curve

